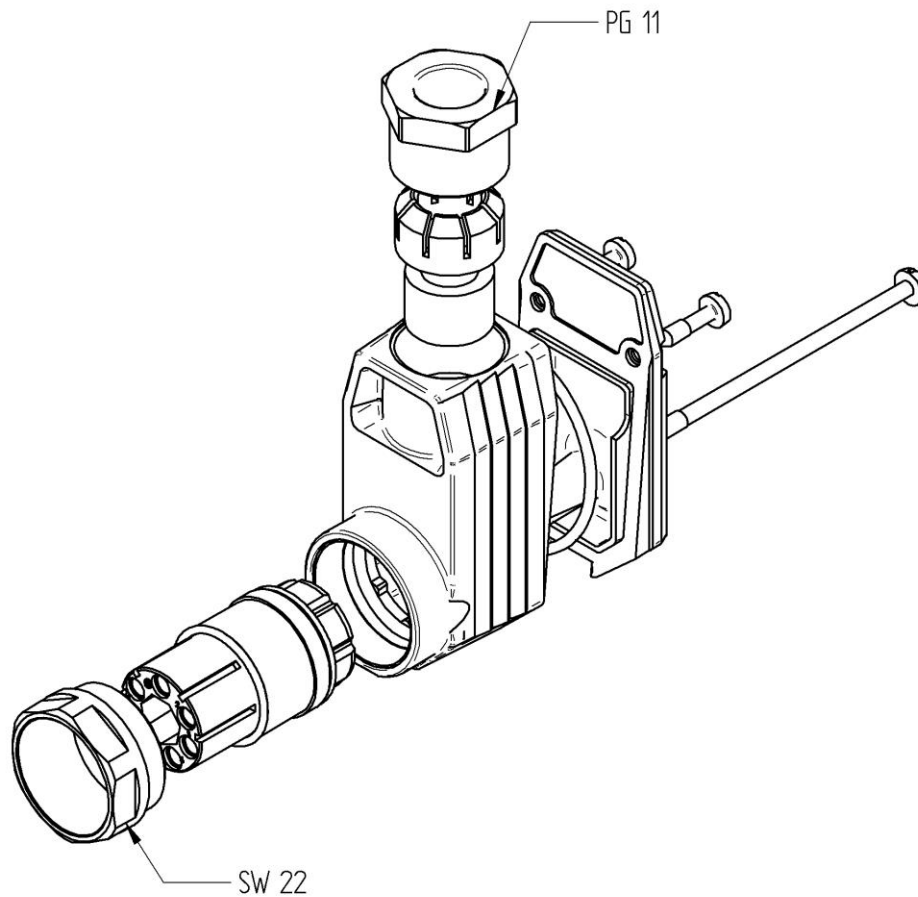
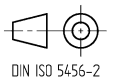


RoHS ✓



The information/details in this datasheet merely contain general descriptions or performance factors which, when applied in an actual situation, do not always correspond with the described form, and may be amended by way of the further development of products. The desired performance factors shall only be binding if these are expressly agreed on conclusion of the contract.



**Product description**

Description	Cable socket angled
Type	N6R FF AHL
Order No	7635
Type of contacts	female, crimp contact
Number of contacts	6+PE
Cable gland	PG 11
Strain-relief	clamping cage
Conductor size	0,5 mm <sup>2</sup> to 1,5 mm <sup>2</sup>
Standard	DIN EN 175201-804
Color housing	black
Color contact bearer	black

**Technical data**

Clearance / Creepage distance	DIN EN 60664-1 (2008/01); VDE 0110-1
Rated voltage	250V AC/DC
Rated current *	10 A
Rated impulse voltage	4,0 kV
Pollution degree	3 acc. to DIN EN 60664-1 (VDE 0110-1)
Contact resistance	< 10 mOhm
Type of connection	crimp
Mating cycles	max. 50
Suitable cables	Ø7 mm bis Ø9 mm
Mounting	

\* Notice derating

**Materials**

Housing	PA 6.6 GF*
Cover	PA 6.6 GF*
Contact bearer	PA 6.6 GF*
Cable gland screw	PA 6.6 GF*
Screw(s)	4.8 , Fe/Zn B
Gasket(s)	NBR
Threaded ring	PA 6.6 GF*
Clamp cage	PA 6 GF

\* Materials in acc. with the requirements of DIN EN 45545  
requirement set: R22 to R26: Class HL3

**Environmental conditions**

Protection class (IEC 60529) *	IP65
Temperature range	-40°C to +90°C, notice derating

\* only if mounted and locked in combination with Hirschmann / Lumberg connector.

**Flammability class**

Housing	UL 94 V-0*
Cover	UL 94 V-0*
Contact bearer	UL 94 V-0*
Cable gland screw	UL 94 V-0*
Threaded ring	UL 94 V-0*

\* Materials in acc. with the requirements of DIN EN 45545  
requirement set: R22 to R26: Class HL3

**Accessories**

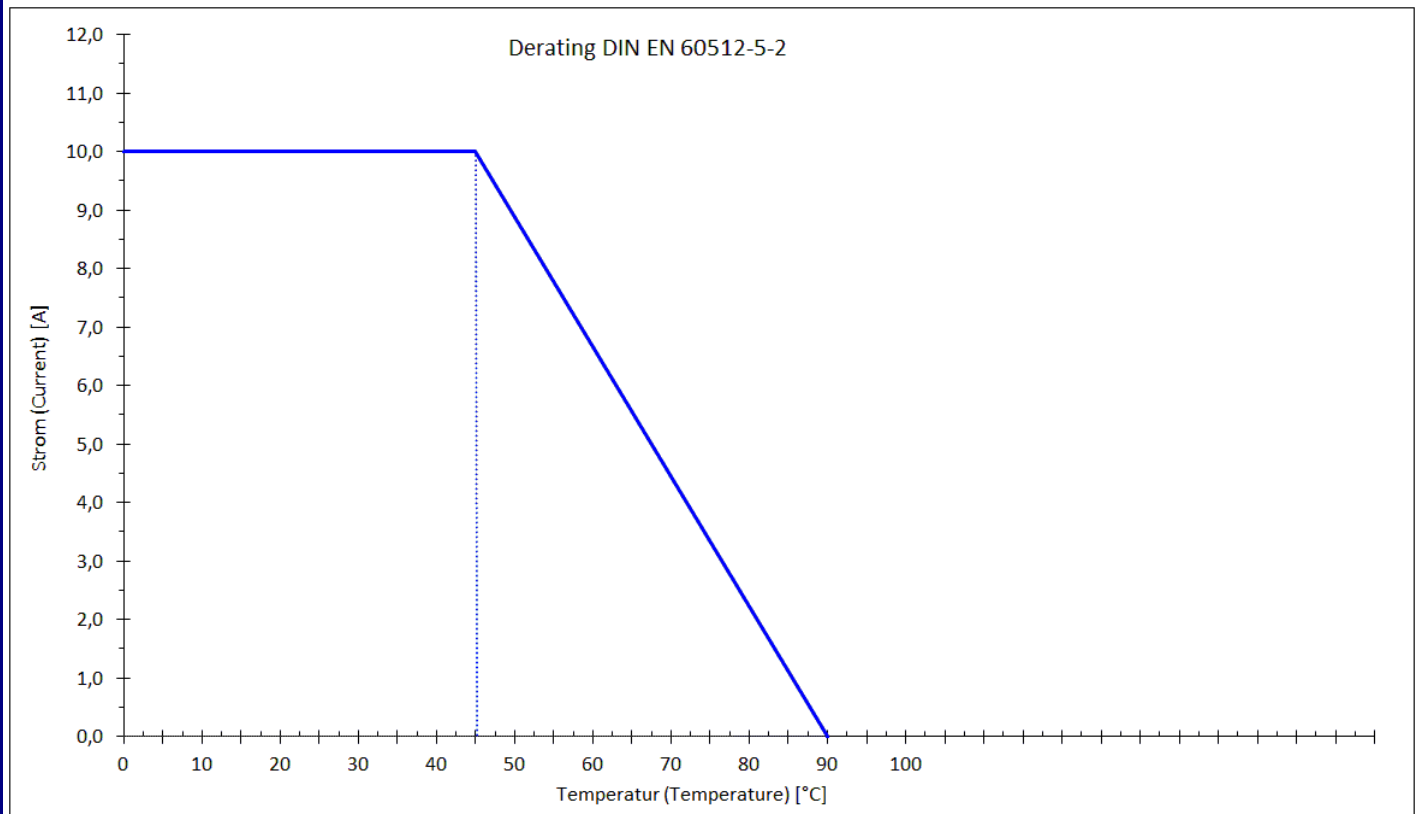
Accessories to order separately	831-002-011, Codierung NC 6 Contact: RBC 162
---------------------------------	---

**Additional technical data**

Fastening torque (coupling nut)	SW 22: (100-150) Ncm
Fastening torque (mounting screw)	2,9x13: (40-50) Ncm, 2x
Fastening torque (cable gland)	PG 11: (250-375) Ncm
Fastening torque (mounting screw)	M 3: (50-60) Ncm

**Notes**

Do not connect or disconnect under load.



product overview

Article-No.	Type
000-007-635	N6R FF AHL